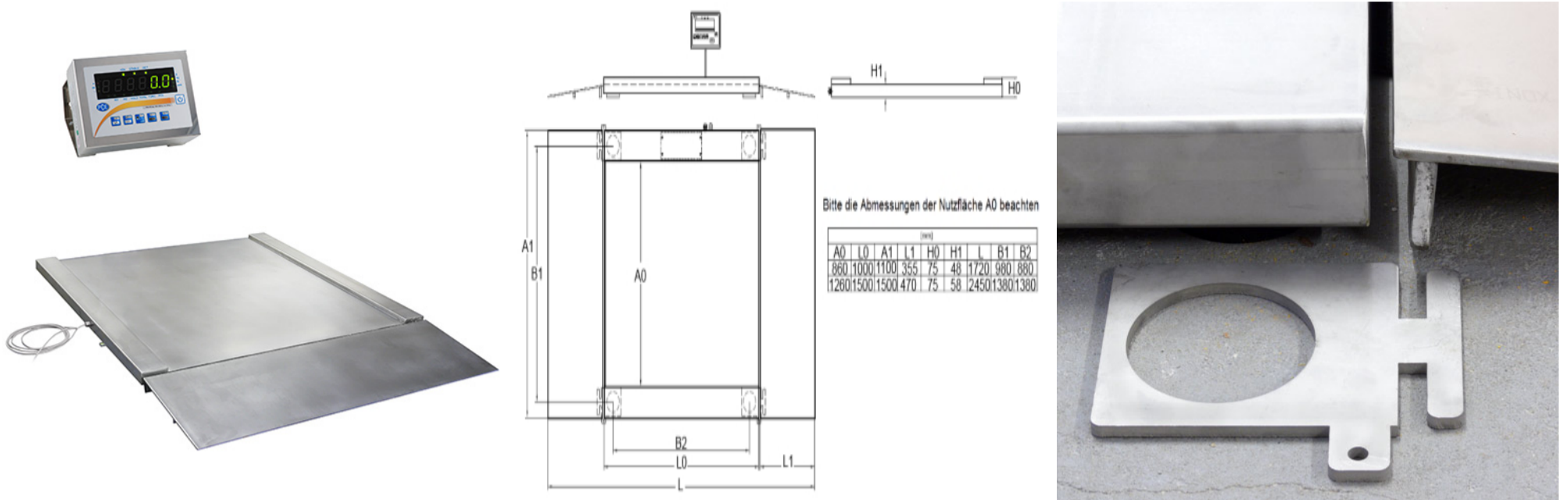


# Pallet Scale PCE-SD 2000 SST



**Calibratable stainless steel drive-through pallet scale up to 2000 kg / resolution 1 kg /  
corrosion and acid resistant / protection class IP 65 / IP 68 / low overall height /  
very robust design / incl. an access ramp and calibration**

Before delivery, the calibratable stainless steel drive-on scale is calibrated for its location of use according to calibration class III and is then approved for two years in all of Europe for calibration class III. The stainless steel drive-through scale is made of solid corrosion and acid-resistant steel. The weighing platform of the stainless steel ramp scale has encapsulated weighing cells that withstand the harshest conditions with the IP 68 protection class. The drive-on ramp is easy to drive on thanks to the low height of the stainless steel drive-through scale and, as required, can be used as a drive-on ramp or as a drive-through scale using a second optionally available drive-through ramp. The fixing plates included in the scope of delivery ensure that the calibrated stainless steel drive-through scales stand securely and prevent the ramps from slipping. The stainless steel display of the drive-through scale is IP 65 protected and can be conveniently mounted on the table, on the wall or on the optionally available stainless steel tripod. The functional package of the calibrated stainless steel drive-through scale is very extensive. Functions such as auto tare, piece counting function, saving a fixed tare weight, recipe function, summing function and more make work much easier. The stainless steel ramp scale is ideal if you do not want to install a scale into the floor. Simply set up the drive-through scale on a level hall floor, connect the control terminal and you can start weighing. For the calibrated stainless steel drive-on scale, we offer an RS-232, USB, LAN interface and 4..20 mA or 0 ... 10 V analog outputs or three switching outputs.

- ▶ Calibrated according to M III
- ▶ Statistics function
- ▶ Sum up several weighings
- ▶ Percent % comparative weighing
- ▶ Filter (reaction time) adjustable
- ▶ Animal weighing function
- ▶ Piece counting function
- ▶ Maximum value display
- ▶ Mixed recipe weighing
- ▶ Tolerance determination weight min / ok / max
- ▶ A tare value can be saved
- ▶ Adjustable automatic switch-off
- ▶ Gross / Net key on the display
- ▶ Optional: USB, LAN or 4-20 mA

Subject to change

# Specifications

## Technical Data

Model	Weighing range	Resolution	Min.*	Weight	Usable area
PCE-SD 2000SST	2000 kg	1 kg	20 kg	310 kg	1250 x 1500 mm

**\*The minimum load is the load from which the calibration authority checks the accuracy. The verifiable drive-through scale also shows smaller weights, but these may not be used in legal transactions.**

Calibration	calibratable according to class M III (delivered calibrated)
Taring range	over the full weighing range
Settling time	< 3 s
Display	high-contrast LED with 20 mm digit height
Weighing units	kg / pieces / lb
Interface	optional RS-232 / USB / LAN / 4-20 mA / 0-10V
Operating temperature	-10 ... +40 °C
Protection class	Cells IP68 / Display IP65 (without connections)
Power supply	~230V, 50Hz, 8VA (Schuko plug)

# More information

More product info



Similar products



Subject to change